

Features

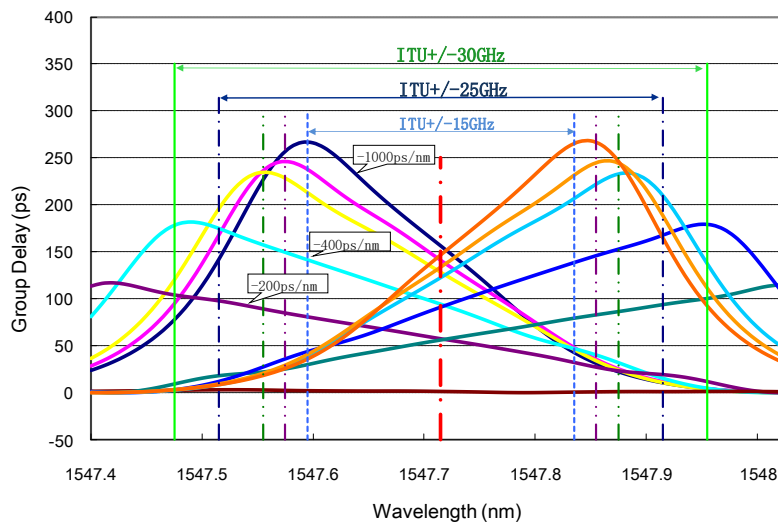
- High-precision tuning with large dynamic range
- High-order dispersion (slope) compensation
- High-speed and smooth tuning
- Low IL and IL-Ripple
- Work at both 100G and 50G ITU-grid
- Slim-type footprint (22mm x 17mm x 130mm)

Applications

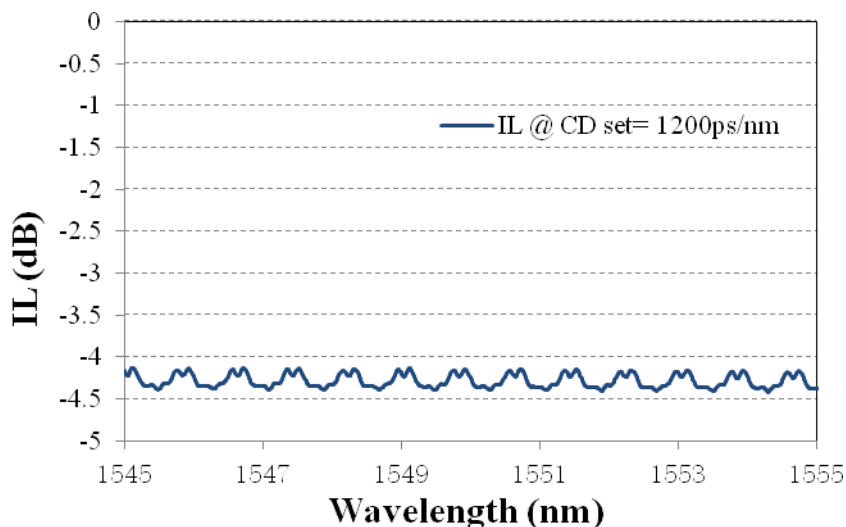
- Dynamic dispersion simulation/compensation
- Metro/Long-haul systems of 40Gb/s network
- Precision time-delay emulation /implementation



High precision dispersion management



Low insertion loss and ripple over C-Band





100GHz Tunable Dispersion Compensator Module

Advanced Component for 40Gb/s Optical Network

Specifications

Dispersion category:

Dispersion Tuning Range (ps/nm)		Dispersion Bandwidth (GHz)	Group Delay Ripple peak-to-peak (ps)		Phase Ripple Stdv (rad)	
Min.	Max.	Max.	Typ.	Max.	Typ.	Max.
-400	+400	60	5	10	0.05	0.15
-700	+700	40	5	15	0.05	0.15
-1200	+1200	25	5	15	0.05	0.15

Optical parameters:

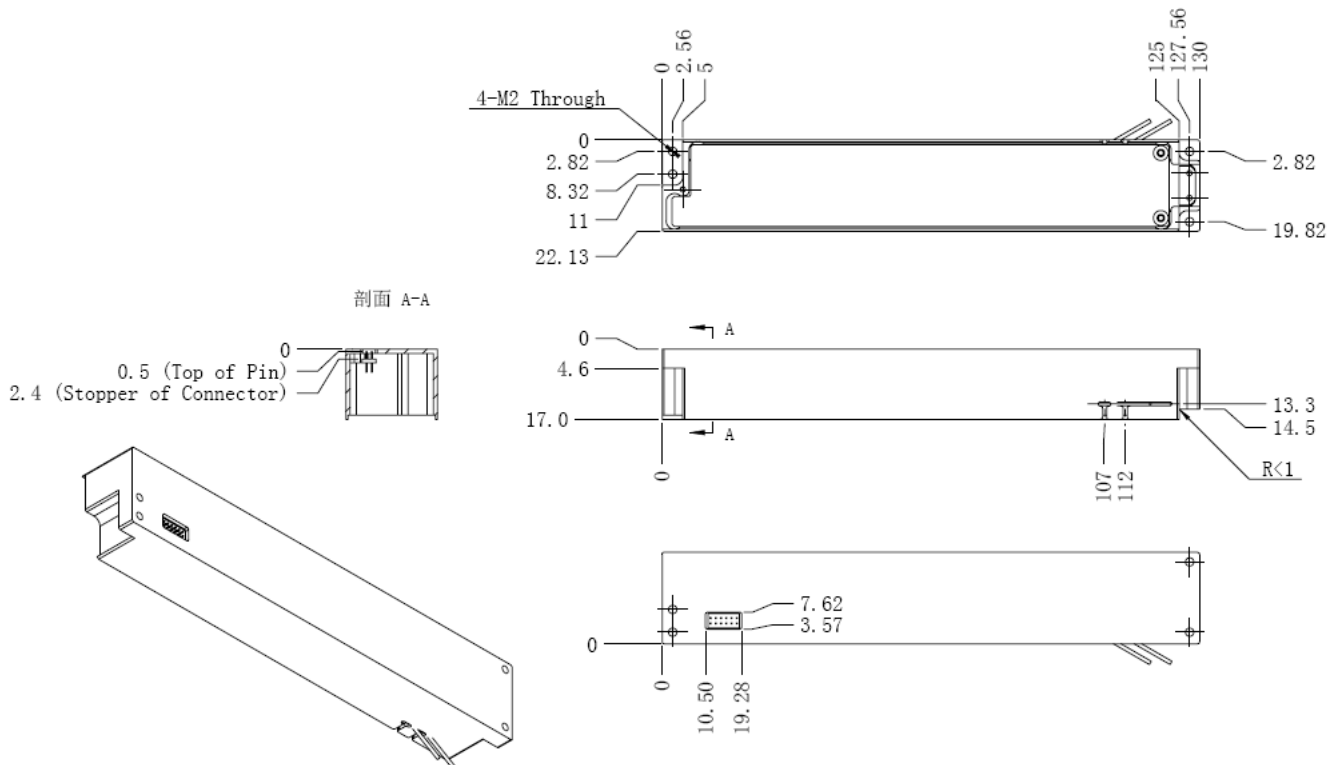
Wavelength range	C-band
Channel spacing	100GHz
Wavelength shift capability	Yes, shift 25GHz/50GHz/75GHz
Dispersion resolution	5ps/nm
IL	< 6dB
IL ripple within OB	< 0.5dB
Return loss	> 45dB
PDL	< 0.3dB
PMD	< 0.8ps
Input power	27dBm in max
Operating temperature	-5 ~ 65°C
Storage temperature	-40 ~ 85°C

Electrical parameters:

Control interface	RS232, I ² C
Voltage	5V DC
Power consumption	Typ. 4.5W, Max. 8W
Tuning speed	Typ. 2sec, Max. 20sec
Electric connector	Samtec MTLW, Or Customizable

Dimensions drawing (units: mm)

Dimensions	22*17*130mm
Fiber Length	1m or Customizable
Optical connector type	Customizable





100GHz Tunable Dispersion Compensator Module

Advanced Component for 40Gb/s Optical Network

Ordering information (Example: SCDT1-11001221)

SCDT		-					
RoHS Compliance	Dispersion	Channel	Wavelength	Fiber Type	Fiber Length	Connector Type	
0、Non-compliant	Tuning Range	spacing	shift	1、250um Fiber	1、0.5+/-0.1m	0、No connector	
1、Compliant	1、±400 ps/nm	1、100G	1、25G	2、900um Fiber	2、1.0+/-0.1m	1、FC/UPC	
	2、±700 ps/nm	2、50G	2、50G	3、Others	3、Others	2、FC/APC	
	3、±1200 ps/nm	3、Others	3、75G			3、SC/UPC	
	4、Others		3、Others			4、SC/APC	
						5、Others	

All statements, technical information and recommendations related to the products herein are based upon information believed to be reliable or accurate. However, the accuracy or completeness thereof is not guaranteed, and no responsibility is assumed for any inaccuracies. The user assumes all risks and liability whatsoever in connection with the use of a product or its application. Primanex reserves the right to change at any time without notices the design, specifications, function, fit or form of its products described herein, including withdrawal at any time of a product offered for sale herein. Primanex makes no representations that the products herein are free from any intellectual property claims of others. Please contact Primanex for more information. Primanex and the Primanex logo are trademarks of Primanex Corporation. Other trademarks are the property of their respective holders.